



TAI-SAW TECHNOLOGY CO., LTD.

No. 3, Industrial 2nd Rd., Ping-Chen Industrial District,
Taoyuan, 324, Taiwan, R.O.C.

TEL: 886-3-4690038 FAX: 886-3-4697532

E-mail: ttsales@mail.taisaw.com Web: www.taisaw.com

Approval Sheet For Product Specification

Issued Date: 2002/11/29

Product Name: SAW Resonator 433.92 MHz

TST Parts No.: TC0170B

Customer Parts No.: _____

Company: _____

Division: _____

Approved by : _____

Date: _____

Checked by: Vincent Liu

Approval by: Francis Chen

Date: 2003/1/21



TAI-SAW TECHNOLOGY CO., LTD.

No. 3, Industrial 2nd Rd., Ping-Chen Industrial District,
Taoyuan, 324, Taiwan, R.O.C.

TEL: 886-3-4690038 FAX: 886-3-4697532

E-mail: tstsales@mail.taisaw.com Web: www.taisaw.com

SAW Resonator 433.92 MHz

Model No.: TC0170B

Rev. No.:2

A. Features:

- 1-Port Resonator.
- SMD 3.8x3.8x1.4 mm package size.

RoHS Compliant
Lead free
Lead-free soldering

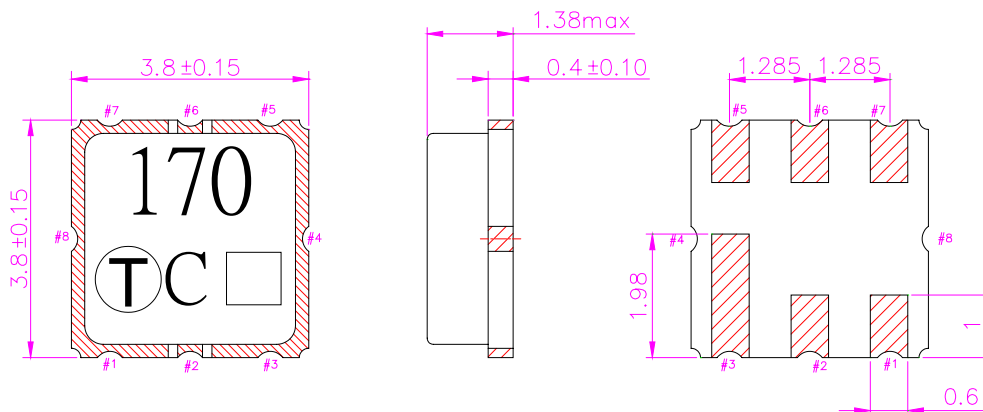
B. Maximum Rating:

- Power Dissipation: 0 dBm.
- DC voltage: 12 V.
- Storage Temperature: -40 °C to 85 °C.
- Operating Temperature: -40 °C to 85 °C.

C. Electrical Characteristics:

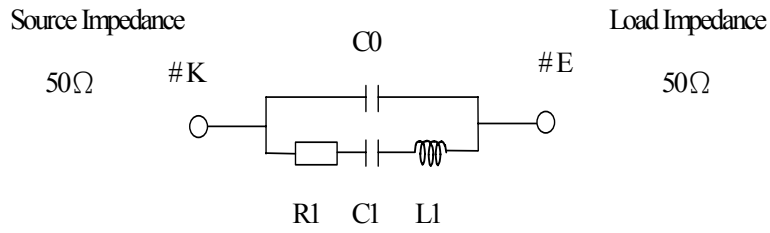
| Characteristic | Units | Minimum | Typical | Maximum |
|---------------------------------|------------------|---------|---------|---------|
| Center frequency, Fr | MHz | 433.845 | 433.92 | 433.995 |
| Insertion Loss, IL | dB | - | 1.6 | 2.5 |
| Equivalent Circuit Elements | | | | |
| Motional capacitance, C1 | fF | - | 1.33 | - |
| Motional inductance, L1 | μH | - | 101.15 | - |
| Motional resistance, R1 | Ohm | - | 23.36 | 25 |
| Parallel capacitance, Co | pF | - | 2.53 | - |
| Temp. coeff. | ppm/ °c*2 | - | 0.032 | - |
| Turnover To | °C | 10 | - | 40 |

D. Outline Drawing:

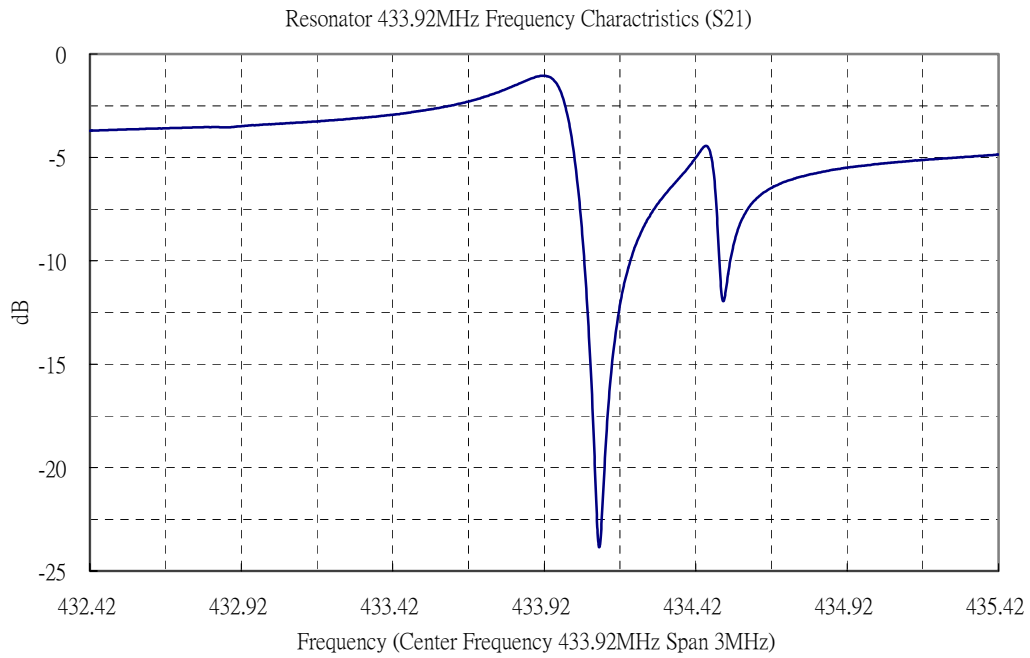


E. Equivalent Circuit:

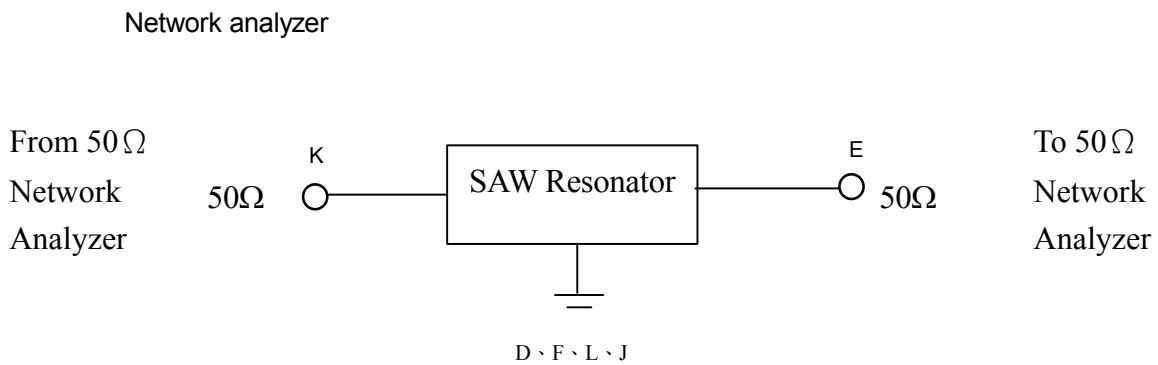
One-Port Resonator:



F. Frequency Characteristics:

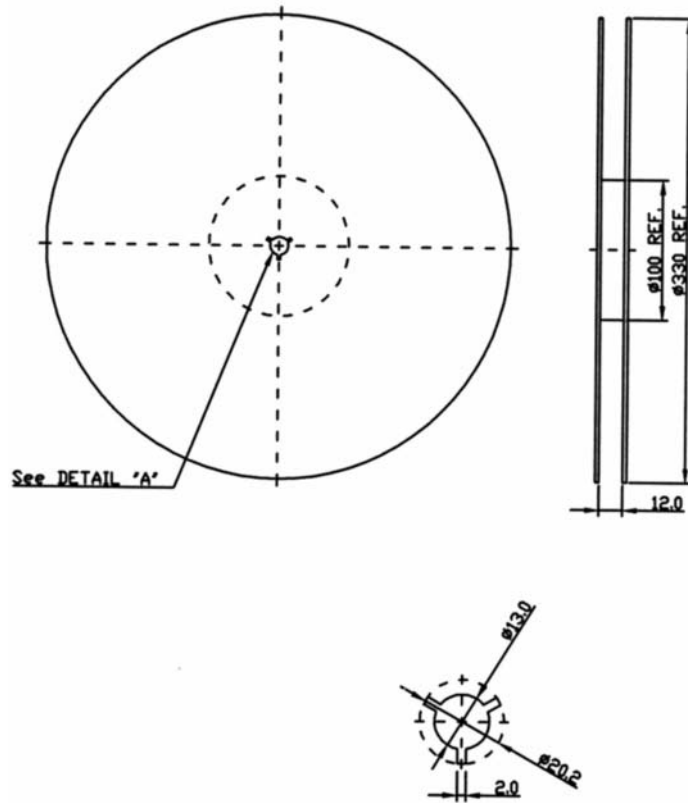


G. Test Circuit:

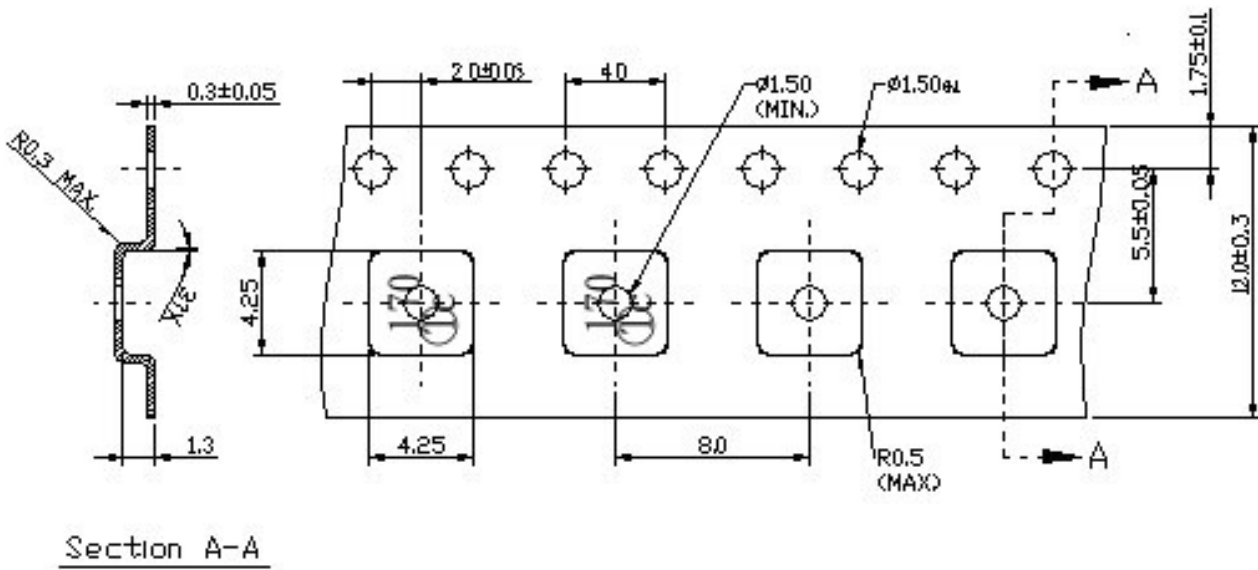


H. Packing:

1. Reel Dimension



2. Tape Dimension



Section A-A